

Vapor Tight LED Light Fixtures

The Dazor LED Vapor Tight Linear Fixtures are engineered for the harshest environments. Our new generation of LEDs provide you with the greater lumen output and improved energy efficacy.

With durable construction and long lasting components you are sure to cash in on the energy savings over the long life of this fixture. Designed to replace old inefficient fluorescent fixtures in cold storage, tunnels, manufacturing, or anywhere that dust or high moisture is an issue.



Key Features

- Mount in high or low spaces
- Rugged design built for even the toughest cold or warm climates
- Suitable for indoor or outdoor installation for ambient temperature -40°F to 140°F
- Color temperature: 4000K or 5000K
- Heavy-duty fiberglass enclosure
- Frosted lineal ribbed lens
- Captive keeper secures latch to housing preventing accidental loss of latch
- Simple bracket mounting system
- Protection fold-back circuit for ambient temperatures over 140°F
- Universal dimmable driver 120-277 VAC

Mounting System

- Bracket snaps onto housing at multiple locations
- Reduces installation labor costs
- No holes drilled through housing
- UL Listed

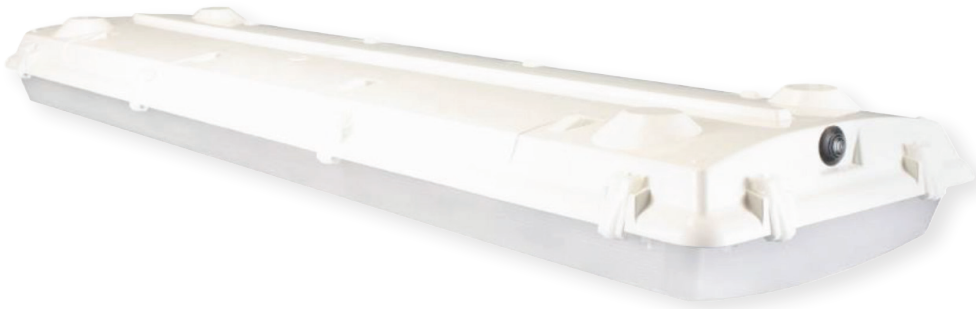
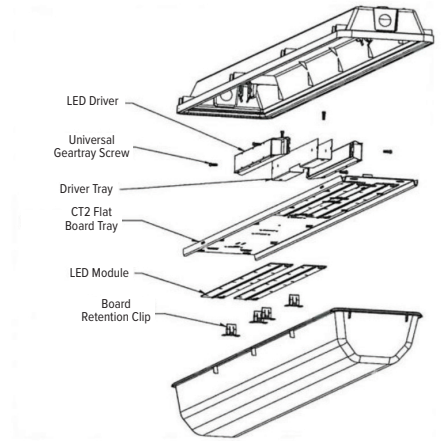
Mounting Options

- Direct mount to ceiling or beam
- Pendant mount
- Chain hang or cable mount
- UL Listed

Vapor Tight LED Light Fixtures



Model No.	Length	Width	Wattage	Lumens	Color Temp
WL3200-4K	2'	7"	25	3100	4000K
WL3200-5K	2'	7"	25	3170	5000K
WL4000-4K	4'	7"	32	3900	4000K
WL4000-5K	4'	7"	32	4000	5000K
WL6000-4K	4'	7"	50	6200	4000K
WL6000-5K	4'	7"	50	6340	5000K
WL12000-4K	4'	7"	100	12400	4000K
WL12000-5K	4'	7"	100	12680	5000K



Model No.	Length	Width	Wattage	Lumens	Color Temp
WL18000-4K	2'	15"	150	18600	4000K
WL18000-5K	2'	15"	150	19020	5000K
WL24000-4K	4'	15"	200	24800	4000K
WL24000-5K	4'	15"	200	25360	5000K

